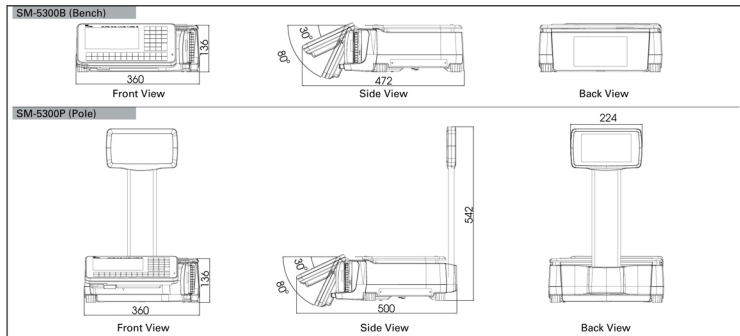


Dimension (mm)



Specifications

Capacity	Max 6kg	Max 15kg / 30lb
Single Interval	e = 2g	e = 5g / 0.01lb
1 / 3,000		
Multi Interval	e = 1g	e = 2g
1 / 6,000		
Capacity	Max 3 / 6kg	Max 6 / 15kg
Multi Interval	e = 1 / 2g	e = 2 / 5g
1 / 3,000		
Model	SM-5300B (Bench)	SM-5300P (Pole)
Dimension (mm)	360(W) x 472(D) x 136(H)	360 (W) x 500(D) x 542(H)
Operator Display	7" WVGA with Touch (800 x 480)	○
Customer Display	7" WVGA (800 x 480)	○
Display Resolution	1 / 3,000 & 1 / 6,000	
Number of Keys	28 Preset Keys / 23 Alphanumeric Function Keys	
CPU	Single Core 1GHz	
Memory	RAM 512 MB & Flash 1 GB	
Types	Liner	Liner Less
Roll Diameter	125mm (Max)	105mm (Max)
Paper Width	56mm	56mm
Print Length	240mm (Max)	240mm (Max)
Printing Speed	100 - 120mm / second*	100mm / second*
Print Resolution	200 dpi	200 dpi
Power Source	AC 100 / 110 or 220 / 230 / 240 Volts (50 / 60 Hzi) Factory Default	
Operating Temperature	- 10°C to + 40°C	
Humidity	15% to 85% RH	
Standard Interface	Ethernet 10 / 100 Base T, 4 x USB 2.0 Host	
Net Weight	11.5 kg	11.8 kg
Options	USB WLAN IEEE 802.11 a / b / g / n	
Factory Option	Liner Less Printer with Auto-Cutter	

*To achieve maximum print speed, high sensitivity thermal paper is necessary. Contact DIGI for details.



CE • Specifications are subject to change without prior notice
• Meet or exceed OIML Class III requirements

TERAOKA WEIGH-SYSTEM PTE LTD.

4 Leng Kee Road #05-02/03/04/05/11
SIS Building SINGAPORE 159088
TEL : +65 6472 2996
SALES : +65 6378 5387
FAX : +65 6863 4614
URL : www.teraoka.com.sg
E-MAIL : bdd@teraoka.com.sg

TERAOKA SEIKO CO. LTD.

13-12 Kugahara 5-chome, Ohta-ku,
Tokyo 146-8580, JAPAN
TEL : +81-3-3752-2131
FAX : +81-3-3752-2801
URL : www.digisystem.com
E-MAIL : info@hq.digi.co.jp

SM5300 / B / 1014



SM-5300

PC Based System Scale Printer

Economy, Efficiency And Eco-Friendly



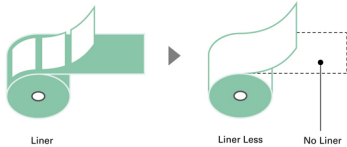
SM-5300P

Searching for
a New Balance



Liner Less Labeling

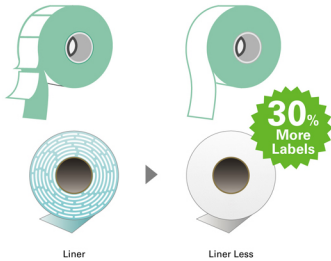
The SM-5300 offers the liner less functionality that reduces waste, downtime and improve productivity.



Economical, Efficient & Eco-Friendly

Without the liner, the number of labels per roll will be increased significantly. Operational period is lengthened with few pauses for label changing downtime.

- Reduce Label Wastage
- Eco-Friendly
- Increase Operation Efficiency



One Label Fits All

Only 1 type of label is required since our printer automatically detects the label size required to suit different needs. This reduces the storage space as well as logistic cost.

World's First Auto-Cutter Weigh Labeller

The world's first weigh-labeller with built-in auto-cutter ensures a smooth cut even after long term use. The SM-5300 prints labels of variable lengths and sizes from a single roll of label.

- Attractive Label
- Reduce Label Cost
- Reduce Logistic Cost



Remote Diagnostic Functions

Remote diagnostic and troubleshooting capabilities allow users to monitor scale performance remotely without compromising the down time by sending technician to site.

This in turn translates to time and cost saving to the customer.



InfoTag Electronic Signage

Promotional messages, product information and pricing can be displayed on the InfoTag through easy connection with SM-5300 via a wireless base station.

- Wireless Update
- Price Integrity
- Minimum Human Intervention



Scale Management Application

Our scale management application makes it easy to manage Price Look-Up (PLU) data and preset key allocation from a centralised location.

Reduce time spent to check individual scale status as status update is just a few clicks away.

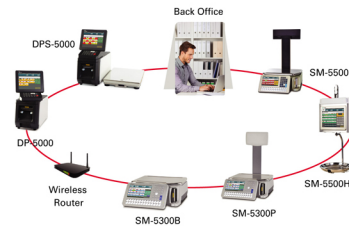
Traceability, Security & Networking Capabilities

Protection from unauthorised manipulation and access is taken care by features such as:

- Audit Trail
- Date and Time Stamp
- Price Override Lock
- Password Protection
- Wireless Network Security (WPA / WEP / LEAP)

The supported network interfaces provide the option of connection via:

- Ethernet 10/100 Based T(TCP / IP)
- Wireless LAN IEEE.802.11 a / b / g / n



Interactive Customer Display

The SM-5300 comes with a 7" WVGA customer display that is capable to show effective advertisement to boost sales.

- Up Sell
- Cross Sell
- Recipes
- Promotion
- Advertisement



7" WVGA Customer Display

Sales Training & Product Information

Equip your sales staff with a wealth of experience by supporting them with advertising content, cross-selling, sales training and consumer advice.

Ramp up your sales by enhancing your service!